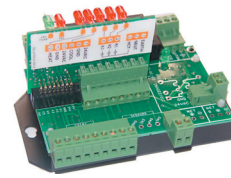


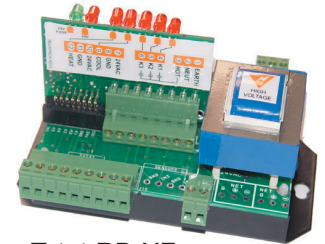
## Tstat-RB-XF Series Relay Board

### Descriptions

The Thermostat Relay Board comes in two versions, one with transformer and one without transformer. The board features a slot for adding your own label, which can slide in and out for making changes. The coils are very low power, requiring less than 30ma at 24VAC. The SPST relay is rated at 10A, 220VAC. Each relay has an LED. Relay board is designed for stat & valve, 3 relays @ 220V 10A, 2 @ 110V 1A. There is a 24V/18VA transformer on Tstat-RB-XF.



Tstat-RB



Tstat-RB-XF

### Features:

- Modes: common switched 12VDC or dry contact.
- Panel mount base, removable face plate
- LED for each low voltage relay

### Specifications

#### CONTACT

Initial Contact Resistance,  
(By Voltage Drop 60VDC 1A) . . . . .30mOhm  
Contact Material. . . . .Gold-flushed silveralloy  
Switching Capacity . . . . . 10A/220VAC  
Max Switching Voltage . . . . . 220VAC  
Max Switching Current. . . . . 10A

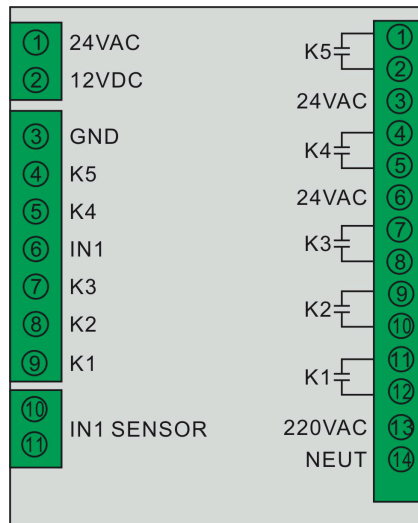
#### COIL DATA

Coil Voltage . . . . . 12VDC  
Coil Resistance . . . . . 700ohm(+/-10%)  
Nominal Operating Power . . . . .less than 30 ma

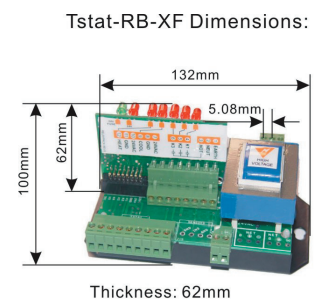
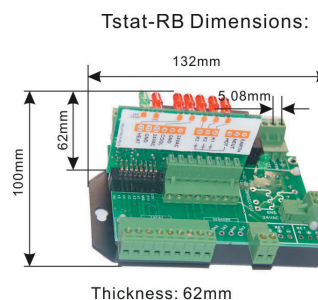
#### CHARACTERISTICS

Max Operating Speed . . . . . 20cpm  
Operate Time(at nominal voltage)  
. . . . . Approx 20msec  
Release Time(at nominal voltage)  
. . . . . Approx 20msec  
Operating Temp. Range . . . . . -50 to 50°C  
Tstat-RB dimensions . . . . . 132 x 100 x 62mm  
Tstat-RB-XF dimensions . . . . . 132 x 100 x 62mm

### Wiring Diagram



### Dimensions



### Ordering Information

TSTAT5-RB	Relay board for Tstat5, 3 x 220VAC @ 10amp, 2 x 110V @ 1A. Pluggable connectors
TSTAT5-RB-XF	Relay board and 24V/18VA xformer for stat & valve, 3 relays @ 220V 10A, 2 @ 110V 1A